

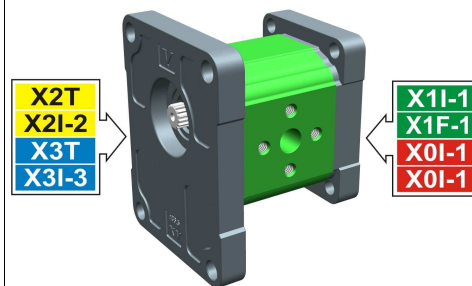
intermediate pump - series XV

X11-2

INTERMEDIATE PUMP TO BE COUPLED WITH XV2
FEMALE Ø36,5 FLANGE

X 1 I 25 82 S I I A

Series	X	series XV
Group	1	group 1
Category	I	intermediate pump
Displacement	25	3.8
Flange	82	Ø36.5 female right rotation 2P+1P, 3P+1P
Shaft	S	SCI01 - Intermediate
Body	IN	inlet - Ø30 Ø12 M6
	OUT	outlet - Ø30 Ø12 M6
Cover	A	Ø25,5 female cover for left multiple pump element



XI103

Technical data table

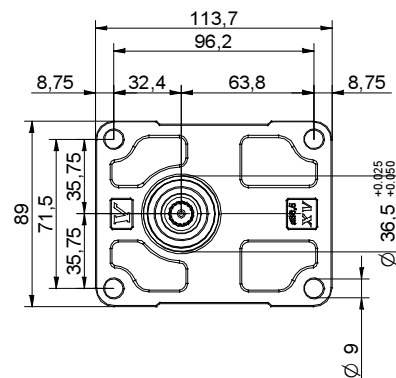
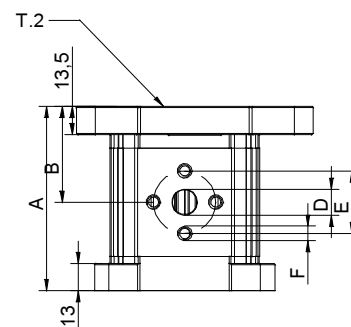
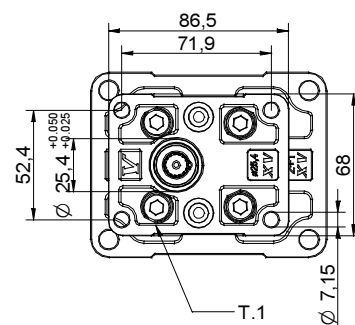
TYPE	Displacement cm3/rev	Max. Pressure		CODE																	
		P1 bar	P3 bar	Left rotation			Right rotation														
X11-2/0.9	0,91	240	280	X	1	I	16	81	S	I	I	A	X	1	I	16	82	S	I	I	A
X11-2/1.2	1,17	250	290	X	1	I	17	81	S	I	I	A	X	1	I	17	82	S	I	I	A
X11-2/1.7	1,56	250	290	X	1	I	18	81	S	I	I	A	X	1	I	18	82	S	I	I	A
X11-2/2.2	2,08	250	290	X	1	I	20	81	S	I	I	A	X	1	I	20	82	S	I	I	A
X11-2/2.6	2,60	250	300	X	1	I	21	81	S	I	I	A	X	1	I	21	82	S	I	I	A
X11-2/3.2	3,12	250	300	X	1	I	23	81	S	I	I	A	X	1	I	23	82	S	I	I	A
X11-2/3.8	3,64	250	300	X	1	I	25	81	S	I	I	A	X	1	I	25	82	S	I	I	A
X11-2/4.3	4,16	250	300	X	1	I	27	81	S	I	I	A	X	1	I	27	82	S	I	I	A
X11-2/4.9	4,94	250	300	X	1	I	29	81	S	I	I	A	X	1	I	29	82	S	I	I	A
X11-2/5.9	5,85	250	300	X	1	I	31	81	S	I	I	A	X	1	I	31	82	S	I	I	A
X11-2/6.5	6,50	250	300	X	1	I	32	81	S	I	I	A	X	1	I	32	82	S	I	I	A
X11-2/7.8	7,54	220	260	X	1	I	34	81	S	I	I	A	X	1	I	34	82	S	I	I	A
X11-2/9.8	9,88	190	230	X	1	I	36	81	S	I	I	A	X	1	I	36	82	S	I	I	A

P1) Max. working pressure - P3) Max. peak pressure

For heavy-duty applications, it is recommended to check the admissible torque of the shaft

Dimensions table

TYPE	Weight kg	A mm	B mm	IN			OUT		
				D	E	F	D	E	F
X11-2/0.9	0,950	78,0	40,8	Ø12	30	M6x1	Ø12	30	M6x1
X11-2/1.2	0,970	79,0	41,3	Ø12	30	M6x1	Ø12	30	M6x1
X11-2/1.7	1,010	80,5	42,0	Ø12	30	M6x1	Ø12	30	M6x1
X11-2/2.2	1,030	82,5	43,0	Ø12	30	M6x1	Ø12	30	M6x1
X11-2/2.6	1,060	84,5	44,0	Ø12	30	M6x1	Ø12	30	M6x1
X11-2/3.2	1,090	86,5	45,0	Ø12	30	M6x1	Ø12	30	M6x1
X11-2/3.8	1,120	88,5	46,0	Ø12	30	M6x1	Ø12	30	M6x1
X11-2/4.3	1,170	90,5	47,0	Ø12	30	M6x1	Ø12	30	M6x1
X11-2/4.9	1,200	93,5	48,5	Ø12	30	M6x1	Ø12	30	M6x1
X11-2/5.9	1,260	97,0	50,3	Ø12	30	M6x1	Ø12	30	M6x1
X11-2/6.5	1,300	99,5	51,5	Ø12	30	M6x1	Ø12	30	M6x1
X11-2/7.8	1,360	103,5	53,5	Ø12	30	M6x1	Ø12	30	M6x1
X11-2/9.8	1,500	112,5	58,0	Ø12	30	M6x1	Ø12	30	M6x1



0104/08 XI1258231A.dft

T.1 = 24.5÷29.4 [Nm] - screw tightening torque M8

T.2 = 42.8 [Nm] - admissible shaft torque (N.B. When choosing a shaft, always check the admissible torque).

Table of variations

X11-2

Female $\varnothing 36.5$ FLANGE

Female $\varnothing 36.5$ FLANGE		Shaft		Cover		
Left rotation	Right rotation			Left rotation	Right rotation	
		SCI01 - Splined $T.2 = 42.8$ [Nm] $m=0,75$ $Z=15$ 				A
						D

Displacement	
TYPE	CODE
X11-2/0.9	16
X11-2/1.2	17
X11-2/1.7	18
X11-2/2.2	20
X11-2/2.6	21
X11-2/3.2	23
X11-2/3.8	25
X11-2/4.3	27
X11-2/4.9	29
X11-2/5.9	31
X11-2/6.5	32
X11-2/7.8	34
X11-2/9.8	36

Standard bodies				
Displacement cm3/rev	Standard threads			
	0.9	I - I	B - B	J - J
1.2	I - I	B - B	J - J	G - F
1.7	I - I	B - B	J - J	G - F
2.2	I - I	B - B	J - J	G - F
2.6	I - I	B - B	J - J	G - F
3.2	I - I	B - B	J - J	G - F
3.8	I - I	B - B	J - J	G - F
4.3	I - I	B - B	J - J	G - F
4.9	I - I	B - B	J - J	G - F
5.9	I - I	B - B	J - J	G - F
6.5	I - I	B - B	J - J	G - F
7.8	I - I	B - B	J - J	G - F
9.8	I - I	B - B	J - J	G - F

Table showing standard flange and thread combinations available in stock

Body (threads/flanges)													
	A		B		C		D		E		F		G
	H		I		J	Closed Body	Z						